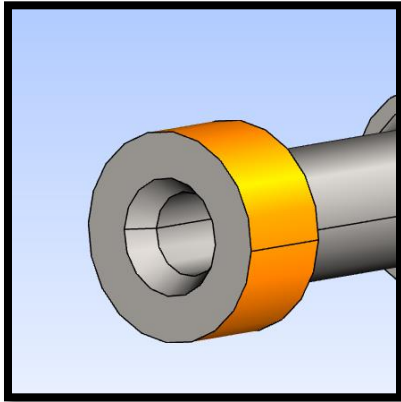
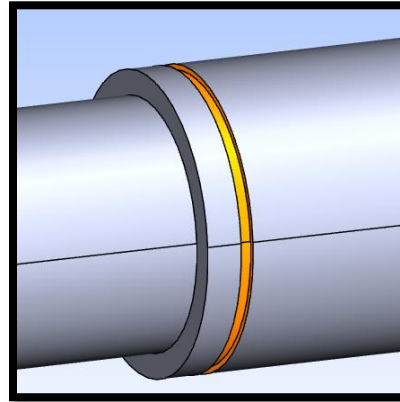


# Costimator® with 3DFX Turn Features

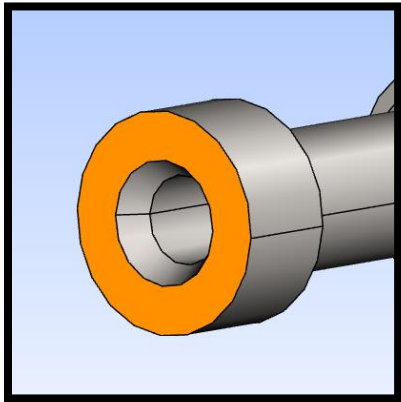
Outside Diameter



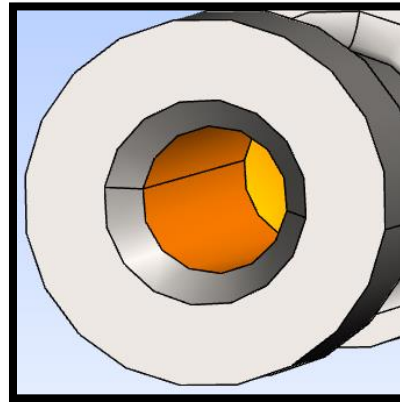
OD Groove



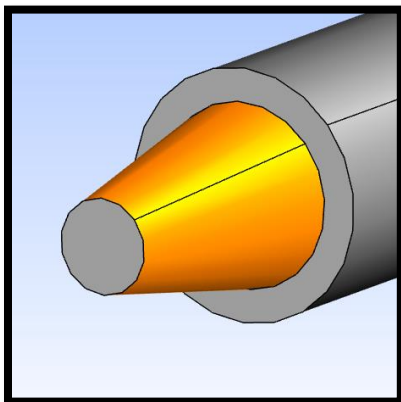
OD Face



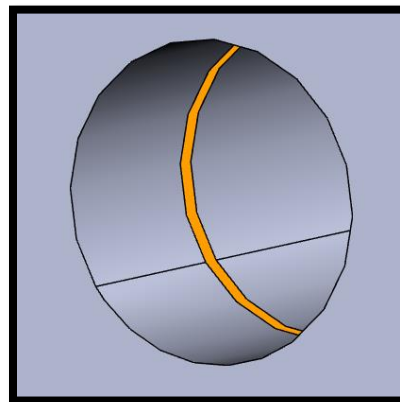
Inside Diameter



OD Taper

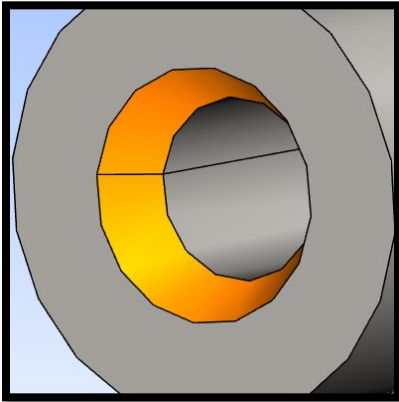


ID Groove

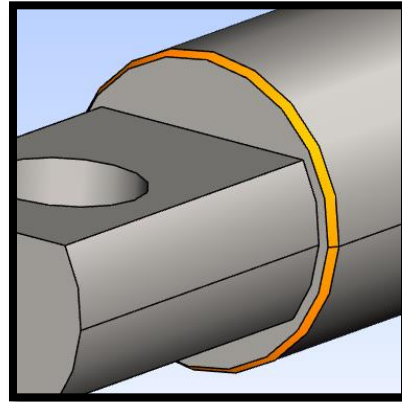


Costimator® with 3DFX Turn Features

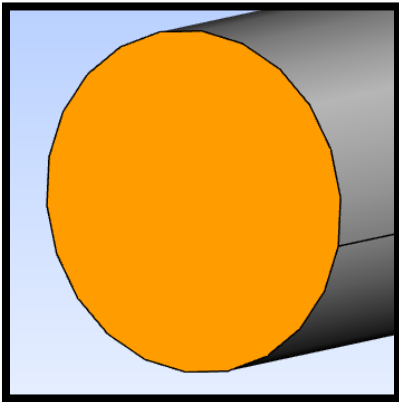
ID Taper



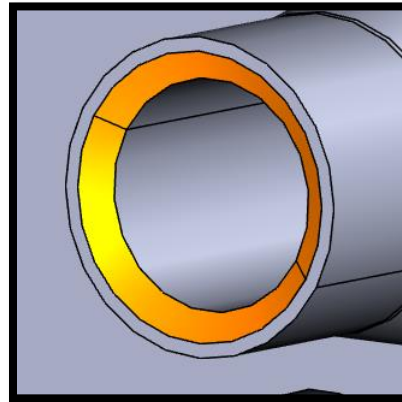
OD Chamfer



Cut Off



ID Chamfer



\*Turn module also includes Mill features