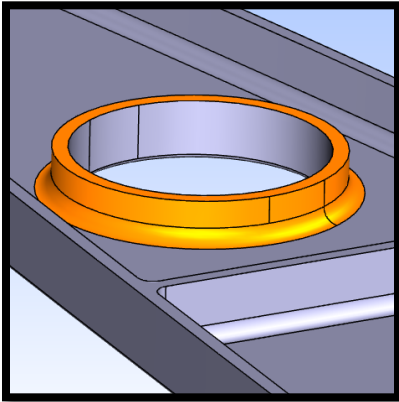
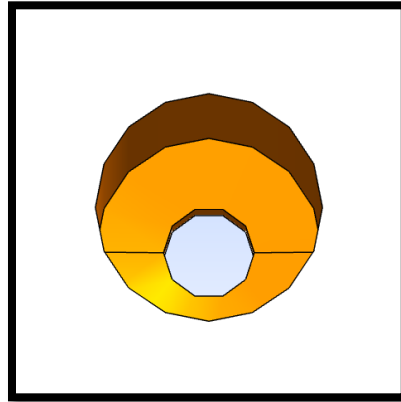


Costimator® with 3DFX Mill Features

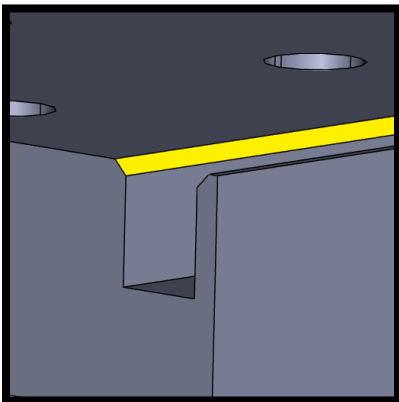
Island (Boss)



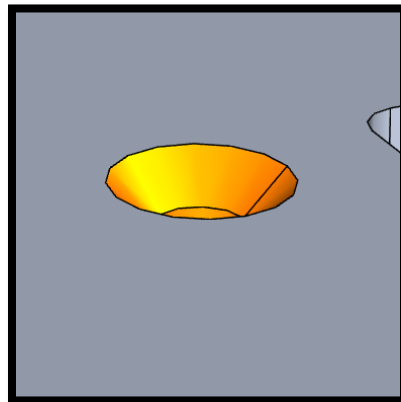
Hole, Counterdrill



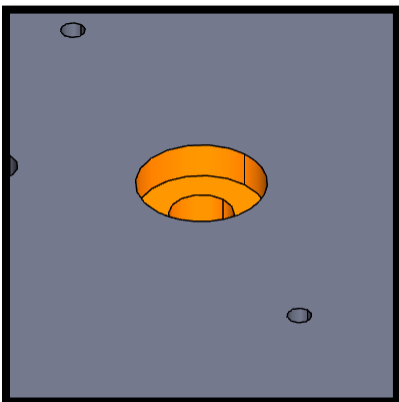
Chamfer



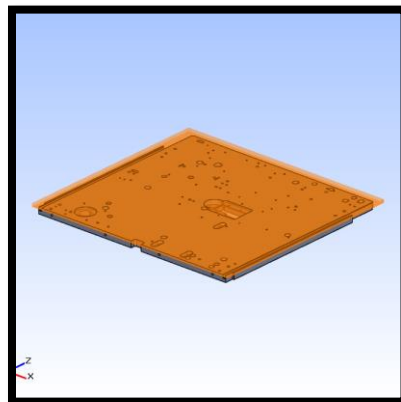
Hole, Countersunk



Hole, Counterbore

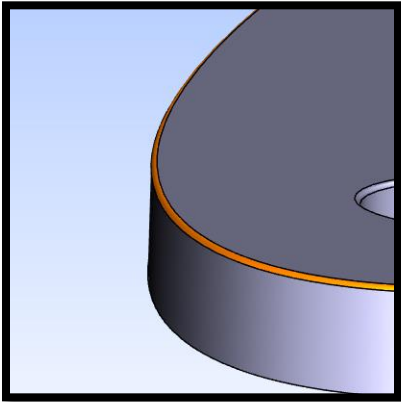


Face

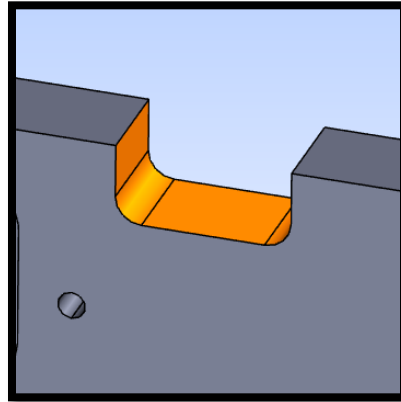


Costimator® with 3DFX Mill Features

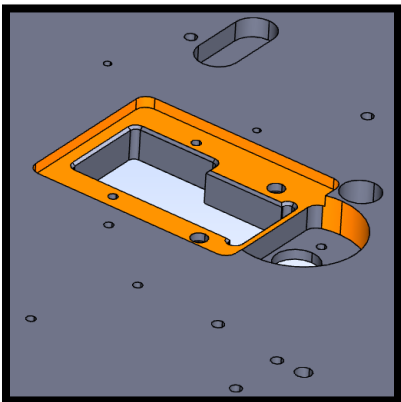
Fillet



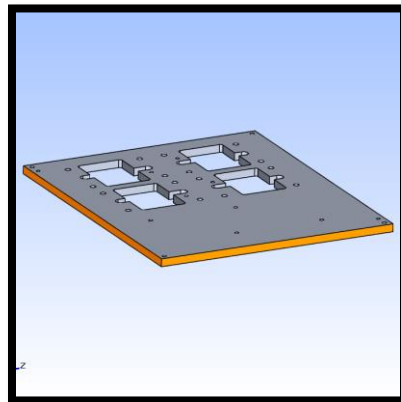
Slot



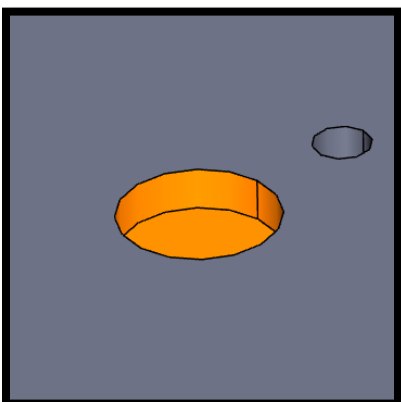
Pocket



Perimeter



Hole



Hole, Taper

